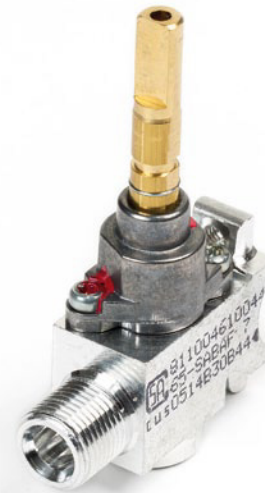


MODEL 7

Extruded aluminium gas taps without safety device

Construction

Body: Extruded aluminium alloy
Cone: Aluminium alloy
Cap: Die cast aluminium alloy
Spindle: Brass / Aluminium



Connections

Standard Inlet: Round 16mm. diameter
Standard Outlet: M12x1 male
Spindle dimension: 6x4,6mm.
 Shape according to customer's request

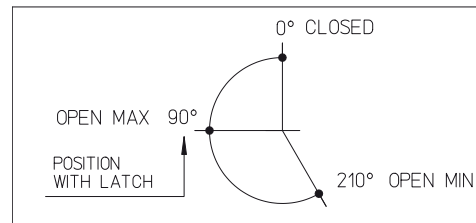
Installation

Maximum inlet torque: 1,5 Nm.
Maximum outlet torque: 15 Nm.
Maximum injector torque: 4 Nm.

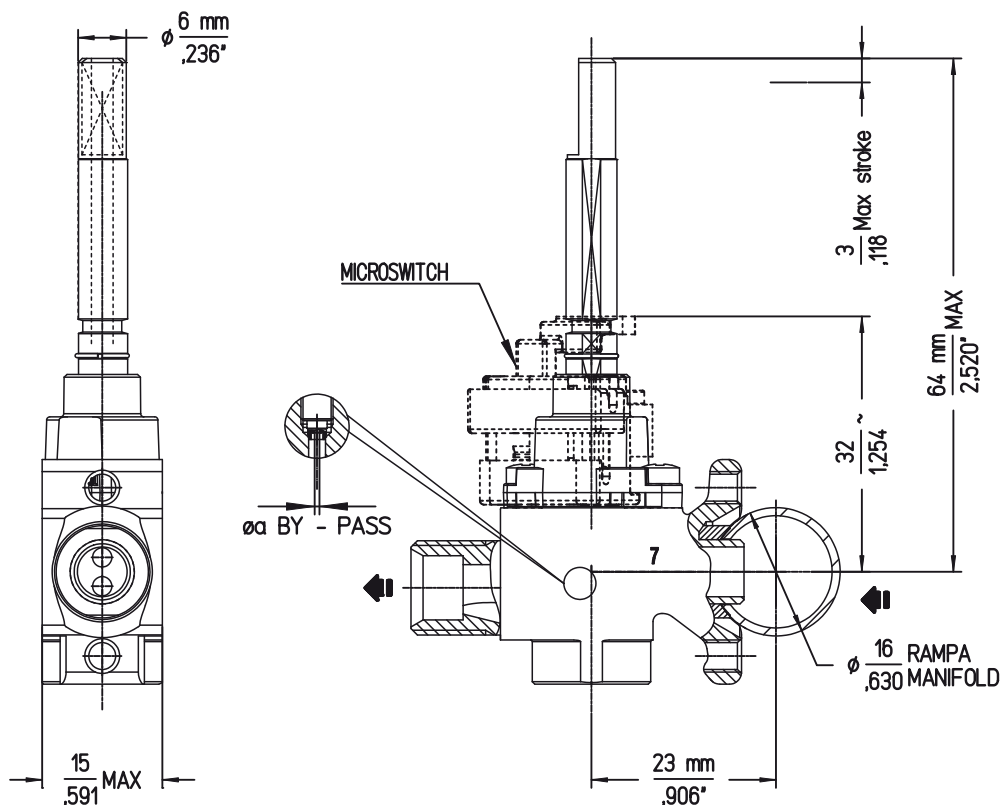
Functional data

Maximum working temperature: 130°C (CE) or 150°C (CSA)
Maximum working pressure: 65 mbar
Flow: 280l/h
Internal leak tightness: < 20 cc/h (at 150 mbar)
Stroke: 3mm

Spindle rotation diagram



Overall dimensions



Model 7X-7Y-7Z-70

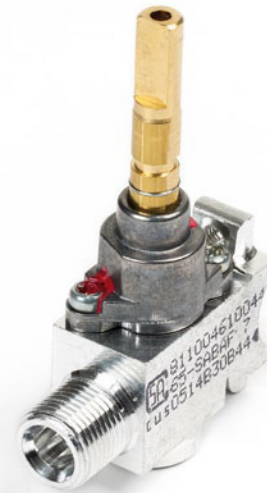
See next page

MODEL 7

Extruded aluminium gas taps without safety device

Construction

Body: Extruded aluminium alloy
Cone: Aluminium alloy
Cap: Die cast aluminium alloy
Spindle: Brass / Aluminium



Connections

Standard Inlet: Round 16mm. diameter
Standard Outlet: M12x1 male
Spindle dimension: 6x4,6mm.
 Shape according to customer's request

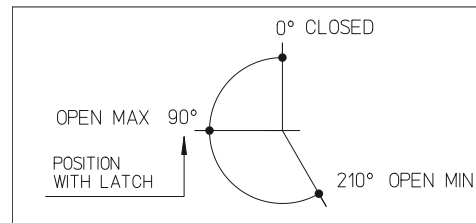
Installation

Maximum inlet torque: 1,5 Nm.
Maximum outlet torque: 15 Nm.
Maximum injector torque: 4 Nm.

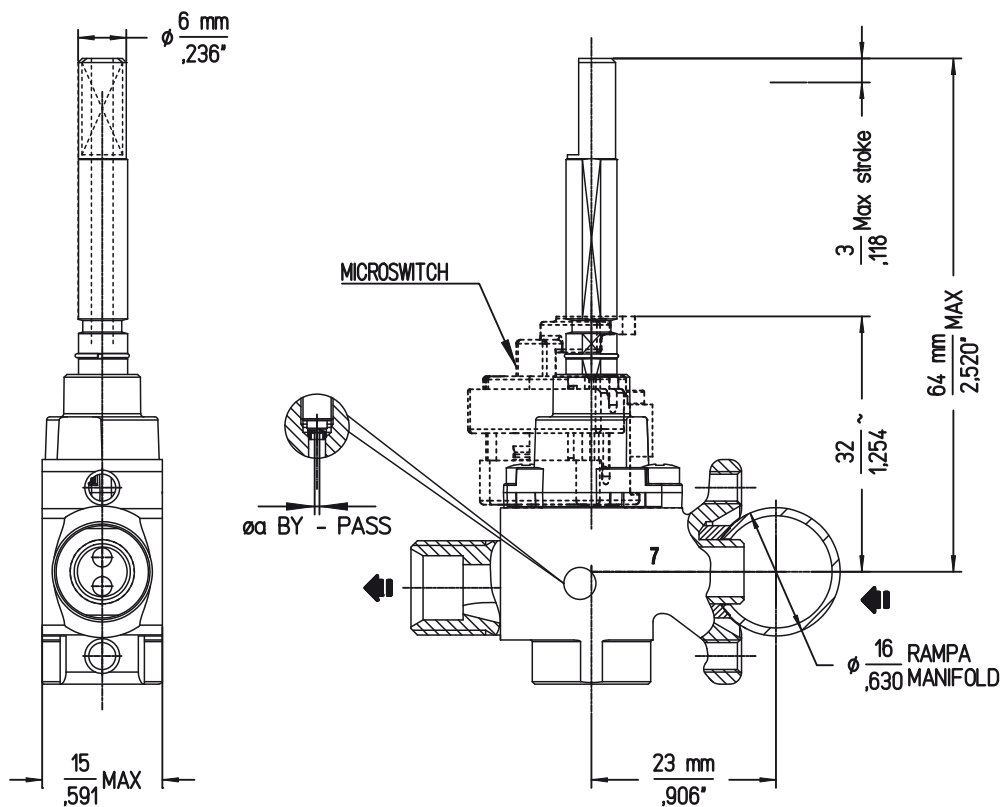
Functional data

Maximum working temperature: 130°C (CE) or 150°C (CSA)
Maximum working pressure: 65 mbar
Flow: 280l/h
Internal leak tightness: < 20 cc/h (at 150 mbar)
Stroke: 3mm

Spindle rotation diagram



Overall dimensions



Model 7X-7Y-7Z-70

See next page