

MODEL 49

Two outlets extruded aluminium gas taps with safety device

Construction

- Body:** Extruded aluminium alloy
- Cone:** Aluminium alloy
- Cap:** Die cast aluminium alloy
- Spindle:** Aluminium

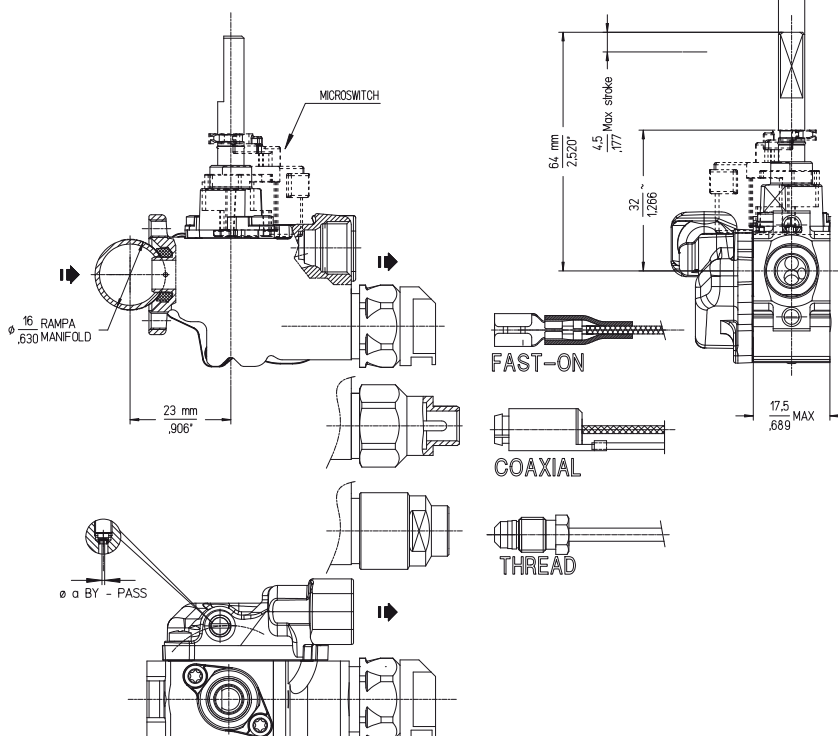
Connections

- Standard Inlet:** Round 16mm. diameter
- Standard Outlet:** M12x1 female
- Spindle dimension:** 6x4,6mm.
- Shape according to customer's request

Functional data

- Maximum working temperature:** 130°C (CE) or 150°C (CSA)
- Maximum working pressure:** 65 mbar
- Flow:** 45-45X = 270 l/h 45Y=260 l/h
- Internal leak tightness:** < 20 cc/h (at 150 mbar)
- Stroke:** 4,5mm

Overall dimensions



Installation

- Maximum inlet torque:** 1,5 Nm.
- Maximum outlet torque:** 15 Nm.
- Maximum M8x1 thermocouple torque:** 4 Nm.

Spindle rotation diagram

