

MODEL 33-34

Two outlets thermostat without safety device

Construction

Body: Forged brass
Cone: Brass
Cap: Die cast aluminium alloy
Spindle: Brass

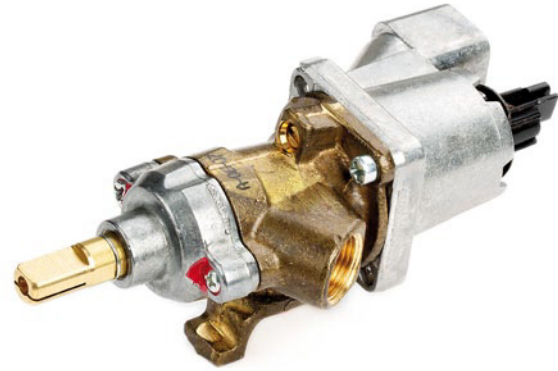
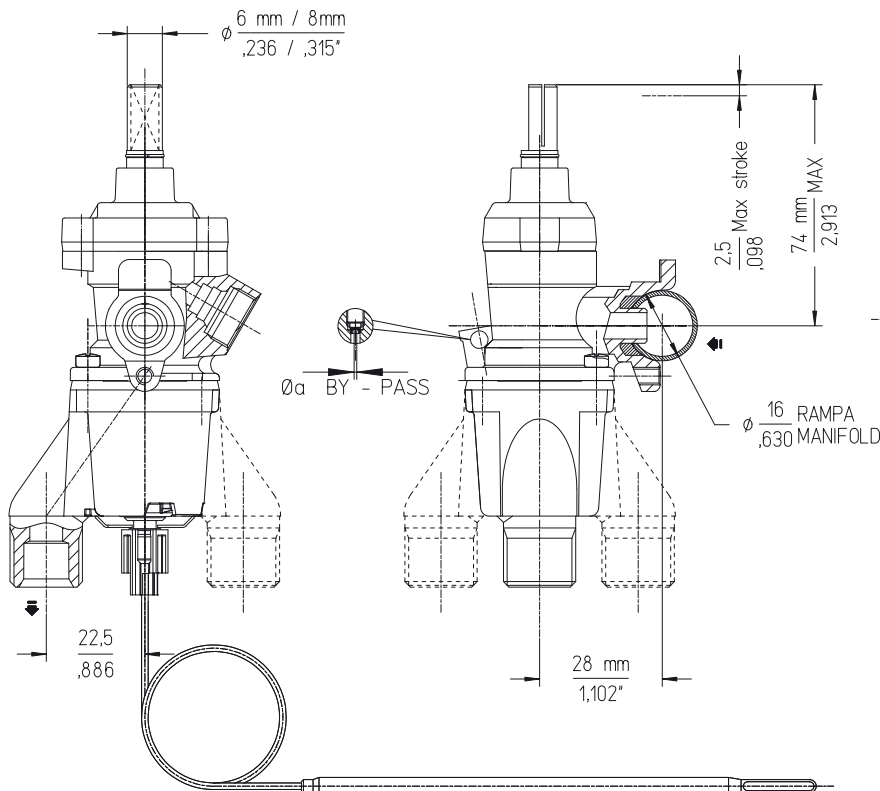
Connections

Standard Inlet: Round 16mm. diameter (model 33, 33X)
 Threaded M13X1 (model 34)
Standard Outlet: M13x1 female
Spindle dimension: 8x6,5mm.
 Shape according to customer's request

Functional data

Maximum working temperature: 130°C
Maximum working pressure: 65 mbar
Flow: 570 l/h oven outlet – 450 l/h grill outlet
Internal leak tightness: ≤ 20 cc/h
Stroke: 2,5mm
Temperature setting range (from - to): 120°C - 315 °C

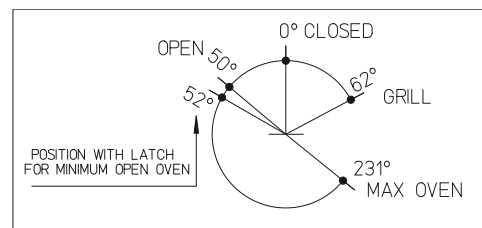
Overall dimensions



Installation

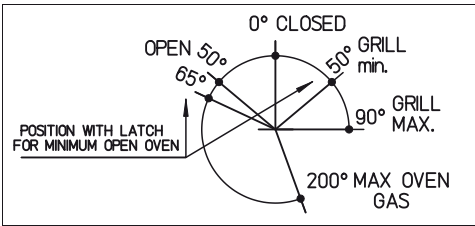
Maximum inlet torque: 1,5 Nm (model 33, 33X)
Maximum outlet torque: 15 Nm.

Spindle rotation diagram



Available spindle rotation:

MODEL 33X



MODEL 34

