

MODEL 23P-24P-25P

One outlet thermostat with safety device and ON-OFF pilot

Construction

Body: Forged brass
Cone: Brass
Cap: Die cast aluminium alloy
Spindle: Brass

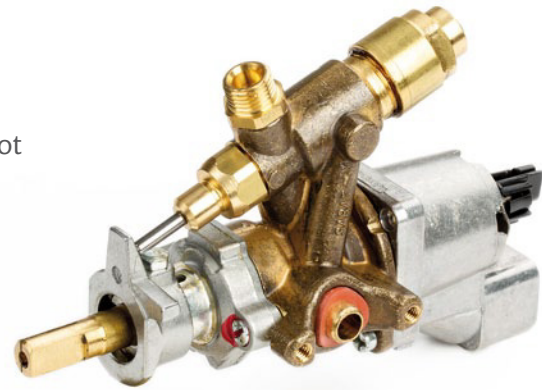
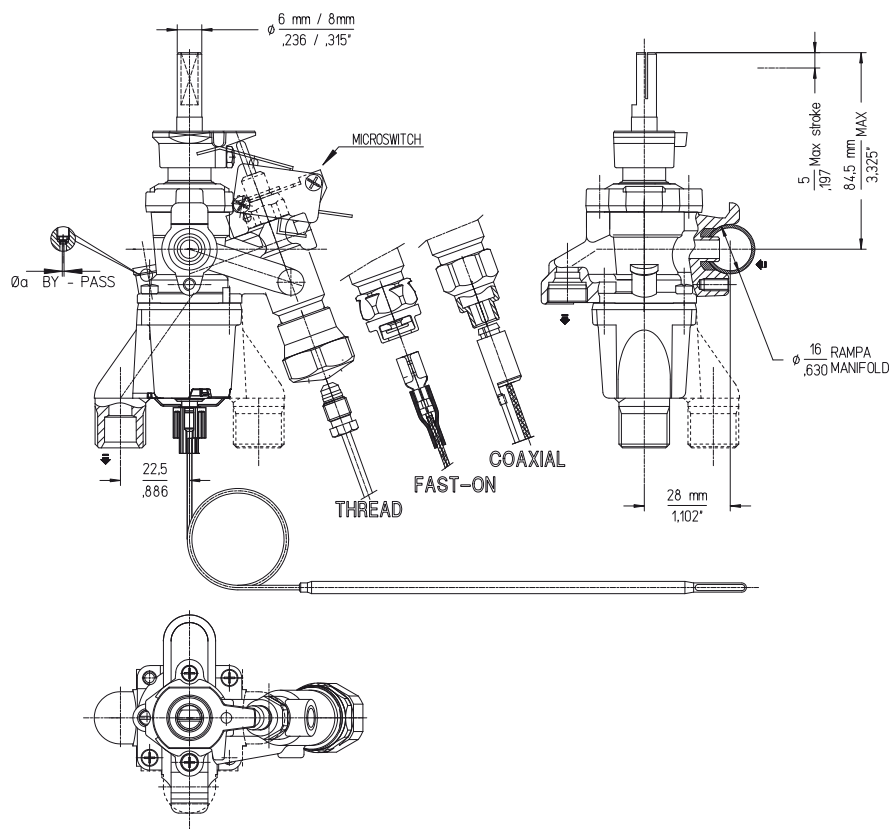
Connections

Standard Inlet: Round 16mm. Diameter (model 23P)
 Flange (model 24P) Threaded M13X1 (model 25P)
Standard Outlet: M13x1 female
Spindle dimension: 8x6,5mm.
 Shape according to customer's request

Functional data

Maximum working temperature: 130°C
Maximum working pressure: 65 mbar
Flow: 470 l/h (model 23P) 530 l/h (model 24P, 25P)
Internal leak tightness: ≤ 20 cc/h
Stroke: 5mm
Temperature setting range (from - to): 120°C - 315 °C

Overall dimensions



Installation

Maximum inlet torque: 1,5 Nm (model 23P)
Maximum outlet torque: 15 Nm.
Maximum M8x1 thermocouple torque: 4 Nm

Spindle rotation diagram

