

MODEL 13

Two outlets brass gas taps with safety device



Construction

Body: Forged brass
Cone: Brass
Cap: Die cast aluminium alloy
Spindle: Brass

Connections

Standard Inlet: Round 16mm. diameter
Standard Outlet: M12x1 male
Spindle dimension: 8x6,5mm.
 Shape according to customer's request

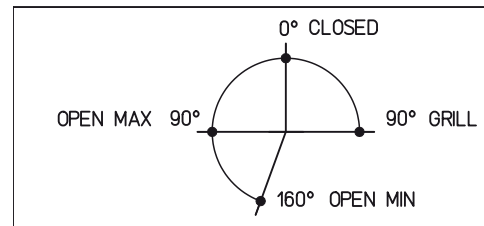
Installation

Maximum inlet torque: 1,5 Nm.
Maximum outlet torque: 15 Nm.
Maximum injector torque: 4 Nm.
Maximum M8x1 thermocouple torque: 4 Nm.

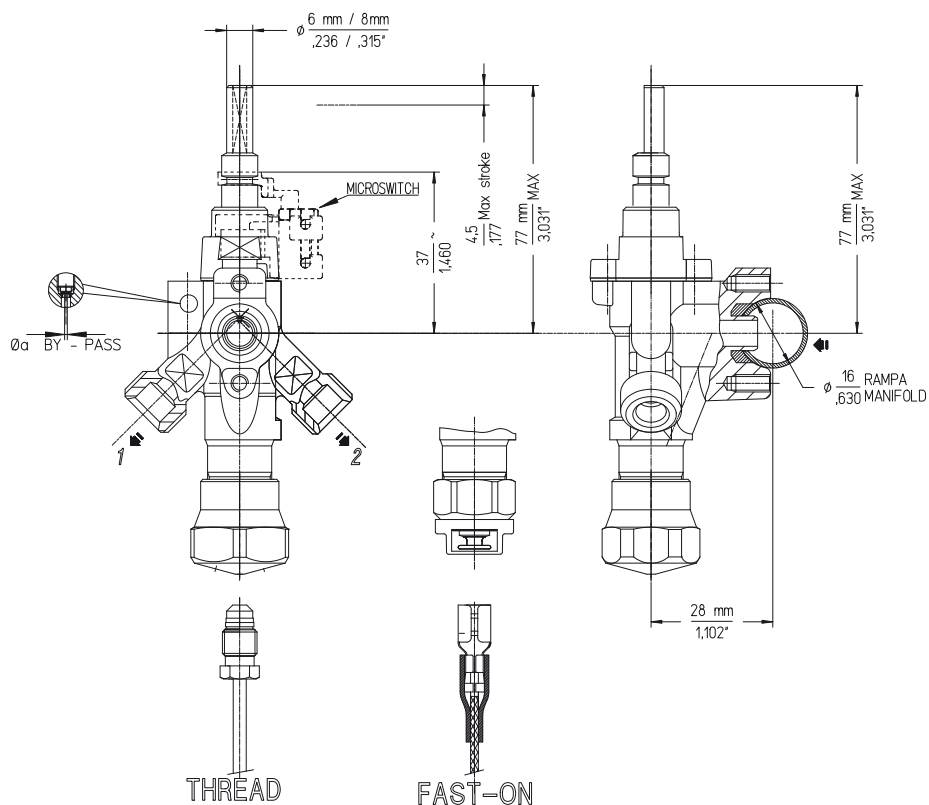
Functional data

Maximum working temperature: 130°C (CE) or 150°C (CSA)
Maximum working pressure: 65 mbar
Flow: 360 l/h outlet 1 – 330 l/h outlet 2
Internal leak tightness: < 20 cc/h (at 150 mbar)
Stroke: 4,5mm

Spindle rotation diagram



Overall dimensions



MODEL 13

Two outlets brass gas taps with safety device



Construction

Body: Forged brass
Cone: Brass
Cap: Die cast aluminium alloy
Spindle: Brass

Connections

Standard Inlet: Round 16mm. diameter
Standard Outlet: M12x1 male
Spindle dimension: 8x6,5mm.
 Shape according to customer's request

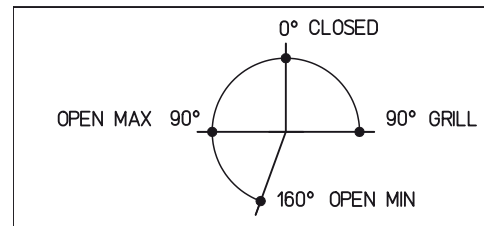
Installation

Maximum inlet torque: 1,5 Nm.
Maximum outlet torque: 15 Nm.
Maximum injector torque: 4 Nm.
Maximum M8x1 thermocouple torque: 4 Nm.

Functional data

Maximum working temperature: 130°C (CE) or 150°C (CSA)
Maximum working pressure: 65 mbar
Flow: 360 l/h outlet 1 – 330 l/h outlet 2
Internal leak tightness: < 20 cc/h (at 150 mbar)
Stroke: 4,5mm

Spindle rotation diagram



Overall dimensions

